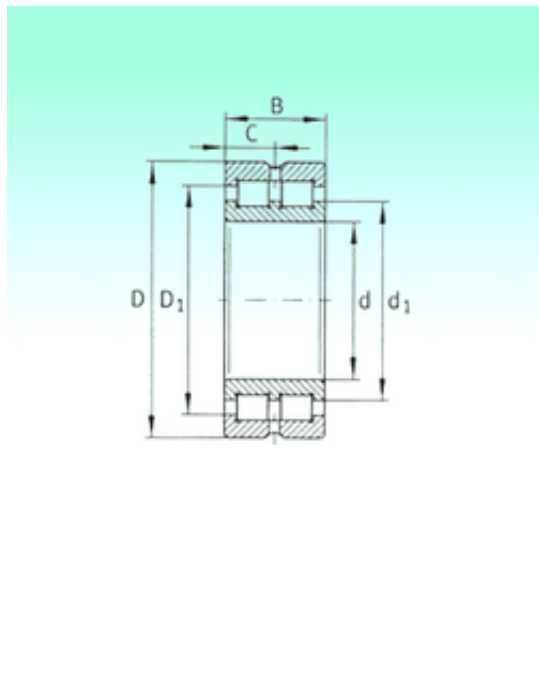




## MANUFACTURING MEXICO,S.A.DE C.V.



240 mm x 320 mm x 80 mm NBS SL014948  
cylindrical roller bearings

Bearing No. SL014948

Size	240x320x80 mm
Bore Diameter	240 mm
Outer Diameter	320 mm
Width	80 mm
d	240 mm
D	320 mm
B	80 mm
C	80 mm
d1	270,6 mm
C	40 mm
D1	292,3 mm
Weight	18,5 Kg
Basic dynamic load rating (C)	750 kN
Basic static load rating (C0)	1740 kN

SL014948 Bearing 2D drawings and 3D CAD models