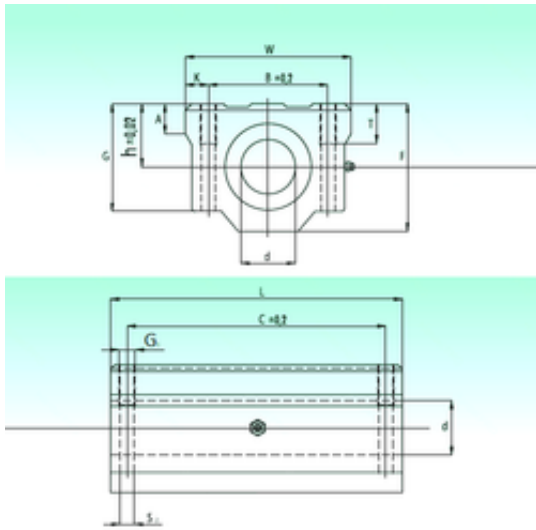




MANUFACTURING MEXICO,S.A.DE C.V.



SCW 60 Bearing 2D drawings and 3D CAD models

NBS SCW 60 linear bearings

Bearing No. SCW 60

Bore Diameter	60 mm
d	60 mm
Thread (G1)	M12
h	58 mm
A	30 mm
B	108 mm
C	180 mm
F	114 mm
G	94 mm
K	12 mm
L	240 mm
S2	10,7 mm
T	25 mm
W	132 mm
Weight	8,56 Kg
Basic dynamic load rating (C)	7,7 kN