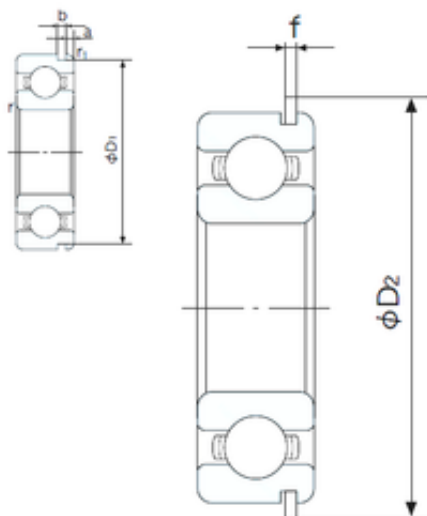




MANUFACTURING MEXICO,S.A.DE C.V.



25 mm x 37 mm x 7 mm NACHI 6805NR deep groove ball bearings

Bearing No. 6805NR

6805NR Bearing 2D drawings and 3D CAD models

Size	25x37x7 mm
Bore Diameter	25 mm
Outer Diameter	37 mm
Width	7 mm
d	25 mm
D	37 mm
B	7 mm
C	7 mm
a	1.3 mm
b	0.95 mm
f	0.85 mm
r min.	0.3 mm
r1 min.	0.3 mm
D1	35.7 mm
D2	39.8 mm
Weight	0.023 Kg
Basic dynamic load rating (C)	4,3 kN
Basic static load rating (C0)	2,94 kN
(Grease) Lubrication Speed	18000 r/min
Bore Type	Cylindrical Bore
Configuration	Single Row
Enclosure	Snap Ring Groove with Snap Ring
Bore Size	25 mm
Outside Diameter	37 mm



MANUFACTURING MEXICO,S.A.DE C.V.

Width	7 mm
Fillet Radius/Chamfer	0.3 mm
r1	0.3 mm
Snap Ring Width	0.9 mm
Snap Ring Outside Diameter	39.8 mm
D1 (max)	35.7 mm
a (max)	1.3 mm
b (min)	1 mm
Dynamic Load Rating	4,300 N
Static Load Rating	2,940 N
Limiting Speed - Grease	18,000 rpm
Limiting Speed - Oil	22,000 rpm
Factor fo	16.0
Radial Clearance	0.005 to 0.020 mm
da (min)	27 mm
Da (max)	35 mm
Dx (min)	40.5 mm
ra (max)	0.3 mm
Cy (max)	1.8 mm