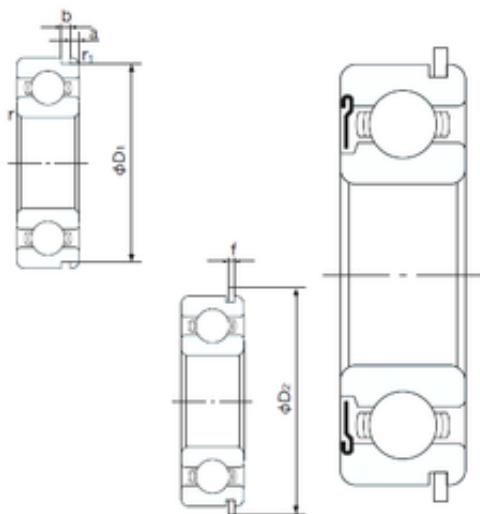




## MANUFACTURING MEXICO,S.A.DE C.V.



130 mm x 200 mm x 33 mm NACHI 6026ZNR  
deep groove ball bearings

Bearing No. 6026ZNR

6026ZNR Bearing 2D drawings and 3D CAD models

Size	130x200x33 mm
Bore Diameter	130 mm
Outer Diameter	200 mm
Width	33 mm
d	130 mm
D	200 mm
B	33 mm
C	33 mm
a	5.69 mm
b	3.5 mm
f	3.1 mm
r min.	2 mm
r1 min.	0.5 mm
D1	193.65 mm
D2	212.9 mm
Weight	3.60 Kg
Basic dynamic load rating (C)	106 kN
Basic static load rating (C0)	101 kN
(Grease) Lubrication Speed	3200 r/min
Enclosure	Single Shield with Snap Ring
Bore Type	Cylindrical Bore
Configuration	Single Row
Bore Size	130 mm
Outside Diameter	200 mm
Width	33 mm



## MANUFACTURING MEXICO,S.A.DE C.V.

Fillet Radius/Chamfer	2 mm
r1	0.5 mm
Snap Ring Width	3.1 mm
Snap Ring Outside Diameter	212.9 mm
D1 (max)	193.7 mm
a (max)	5.7 mm
b (min)	3.5 mm
Dynamic Load Rating	106,000 N
Static Load Rating	101,000 N
Limiting Speed - Grease	3,200 rpm
Limiting Speed - Oil	3,800 rpm
Factor fo	15.7
Radial Clearance	0.018 to 0.048 mm
da (min)	138 mm
Da (max)	192 mm
Dx (min)	215 mm
ra (max)	2 mm
Cy (max)	8.4 mm