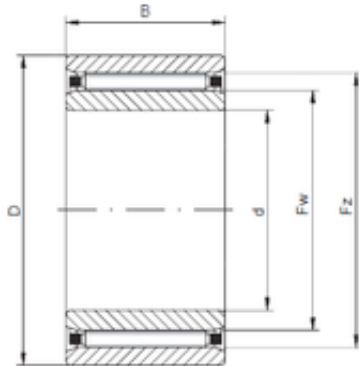




MANUFACTURING MEXICO,S.A.DE C.V.

40 mm x 55 mm x 17 mm ISO NAO40x55x17
cylindrical roller bearings



Bearing No. NAO40x55x17

| | |
|----------------|-------------|
| Size | 40x55x17 mm |
| Bore Diameter | 40 mm |
| Outer Diameter | 55 mm |
| Width | 17 mm |
| d | 40 mm |
| Fw | 45 mm |
| D | 55 mm |
| Ew | 50 mm |
| B | 17 mm |
| C | 17 mm |

NAO40x55x17 Bearing 2D drawings and 3D CAD models