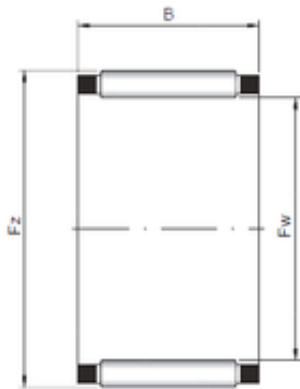




MANUFACTURING MEXICO,S.A.DE C.V.

ISO K90x98x25 needle roller bearings



Bearing No. K90x98x25

Size	90x98x25 mm
Bore Diameter	90 mm
Outer Diameter	98 mm
Width	25 mm
Fw	90 mm
Ew	98 mm
B	25 mm

K90x98x25 Bearing 2D drawings and 3D CAD models