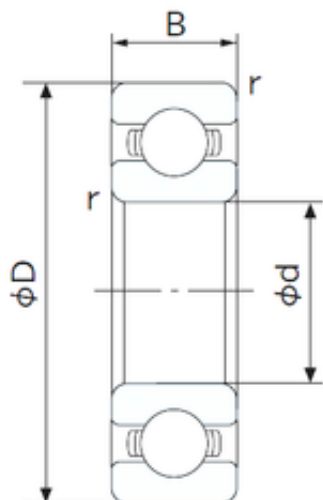




## MANUFACTURING MEXICO,S.A.DE C.V.



Distributor SKF NSK Timken Koyo NACHI  
 NTN Motorcycle Auto Spare Part Engine Parts  
 6000 6002 6004 6006 6200 6202 6204 6300 6302  
 2RS Zz Deep Groove Ball Bearing

Bearing No. 6000

6000 Bearing 2D drawings and 3D CAD models

Size	10x26x8 mm
Bore Diameter	10 mm
Outer Diameter	26 mm
Width	8 mm
d	10 mm
D	26 mm
B	8 mm
C	8 mm
r min.	0.3 mm
da min.	12 mm
Da max.	24 mm
ra max.	0.3 mm
Weight	0.019 Kg
Basic dynamic load rating (C)	4,55 kN
Basic static load rating (C0)	1,97 kN
(Grease) Lubrication Speed	30000 r/min
Enclosure	Open
Bore Type	Cylindrical Bore
Configuration	Single Row
Bore Size	10 mm
Outside Diameter	26 mm
Width	8 mm
Fillet Radius/Chamfer	0.3 mm



## MANUFACTURING MEXICO,S.A.DE C.V.

Dynamic Load Rating	4,550 N
Static Load Rating	1,970 N
Limiting Speed - Grease	30,000 rpm
Limiting Speed - Oil	36,000 rpm
Factor $f_0$	12.4
Radial Clearance	0.002 to 0.013 mm
da (min)	12 mm
Da (max)	24 mm
ra (max)	0.3 mm